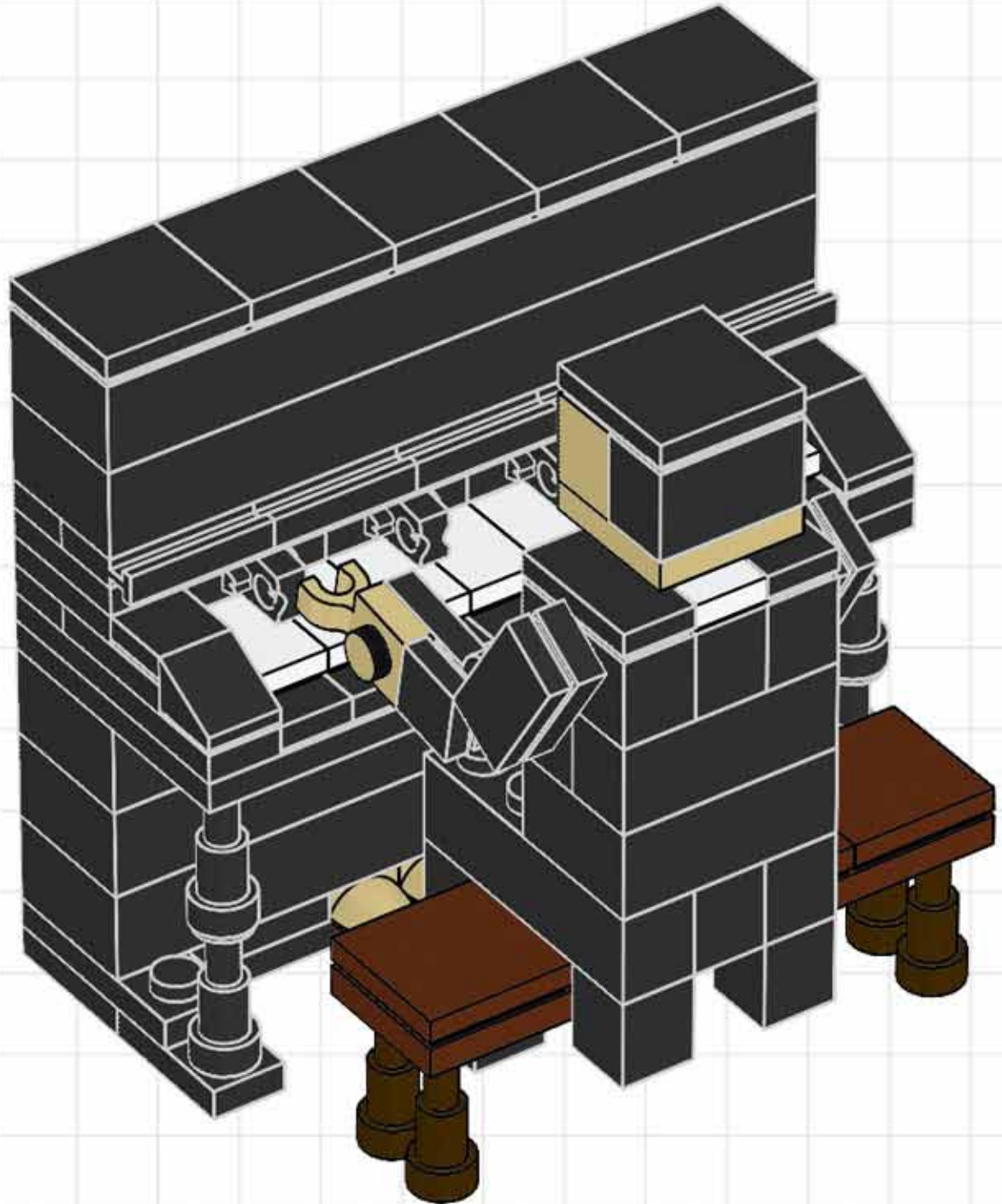


BUILD A PIANO!

The piano is one of the most popular musical instruments in the world, and here's your chance to build one of your very own. The first piano was constructed by Bartolomeo Cristofori, Keeper of the Instruments for the Grand Prince of Tuscany, in roughly 1700. Today, there are many types of pianos, including grand pianos and upright pianos (like this one). This kind is called an "upright" because it takes up less space due to the strings and frame being vertical instead of horizontal.

You can build this piano using pieces from your LEGO collection.

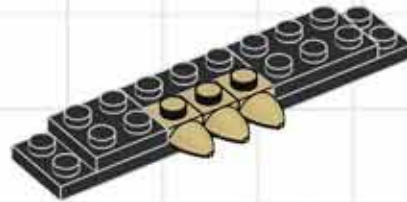


PIANO BUILDING STEPS!

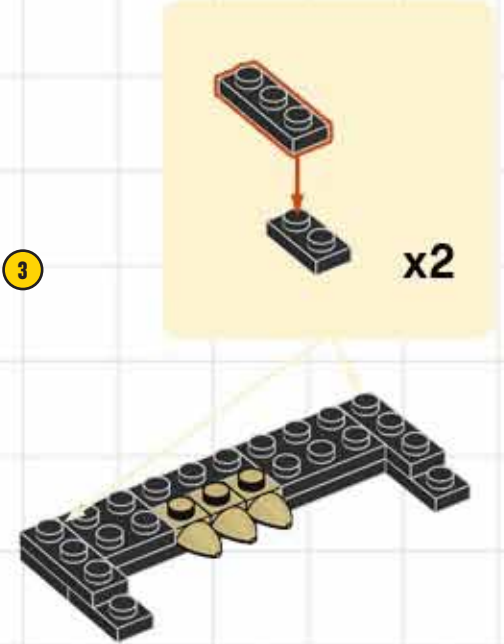
1



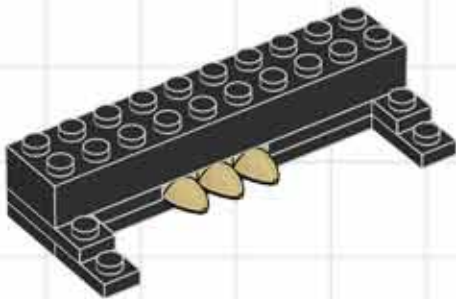
2



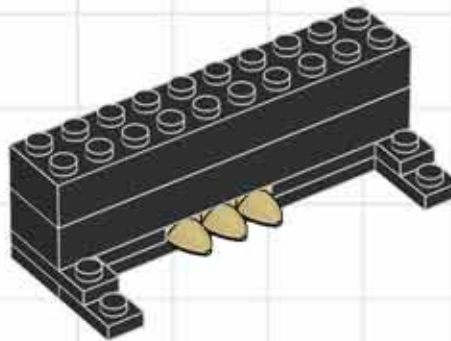
3



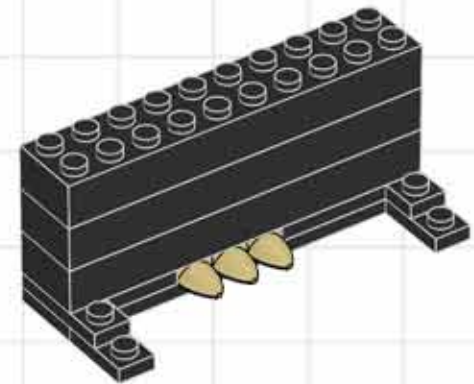
4



5

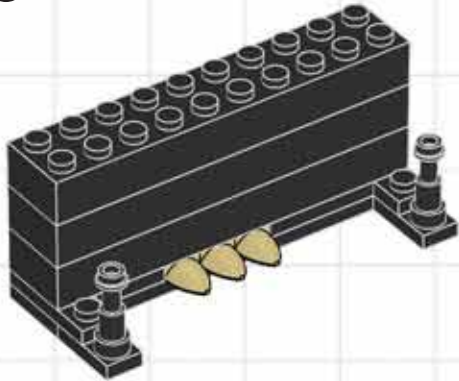


6

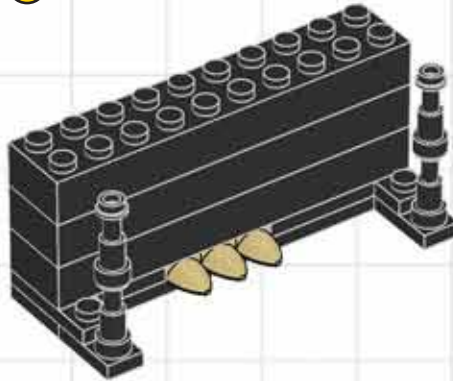


PIANO BUILDING STEPS!

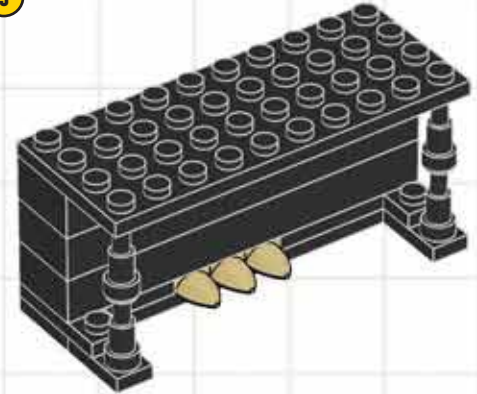
7



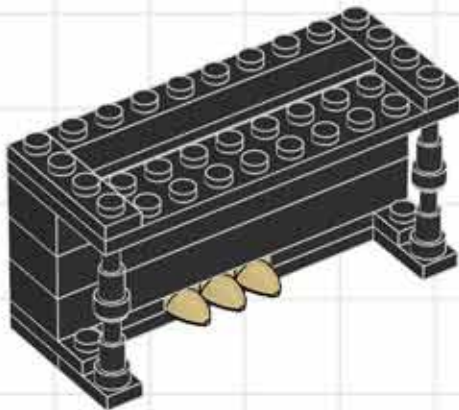
8



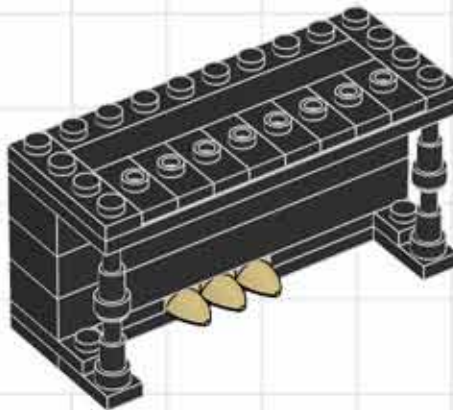
9



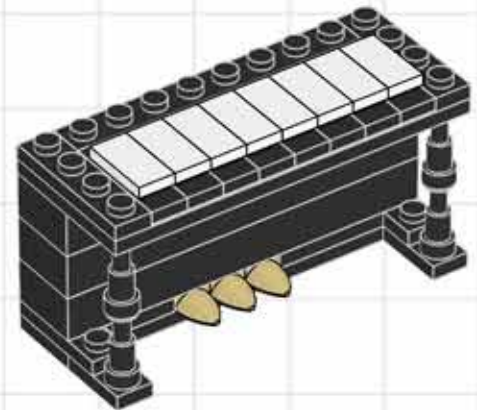
10



11

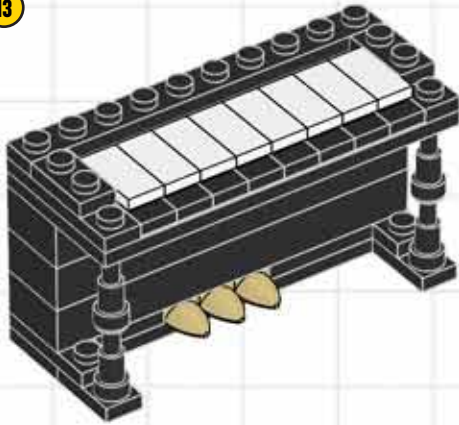


12

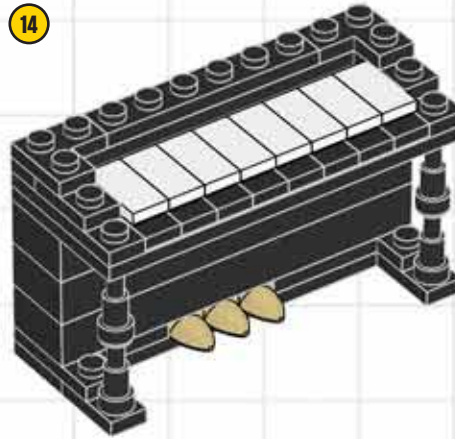


PIANO BUILDING STEPS!

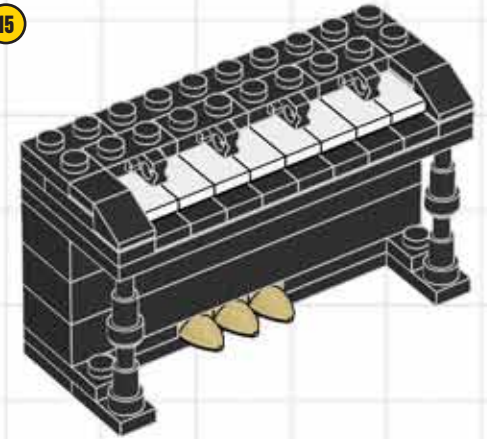
13



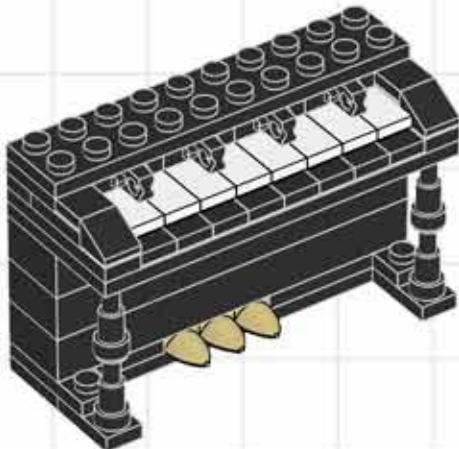
14



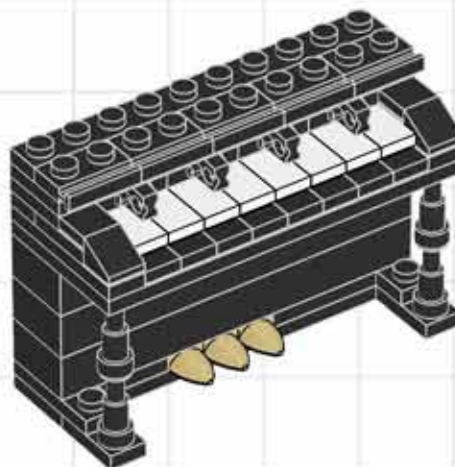
15



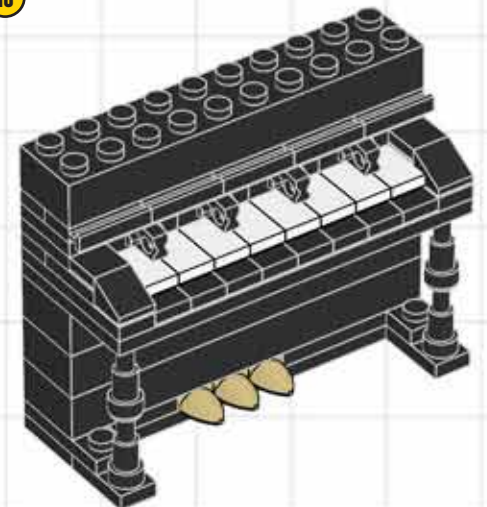
16



17

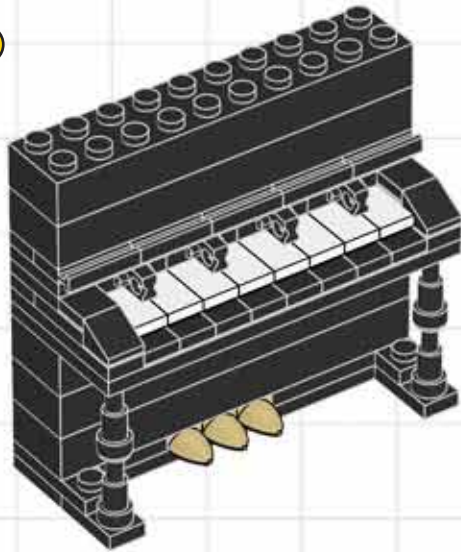


18

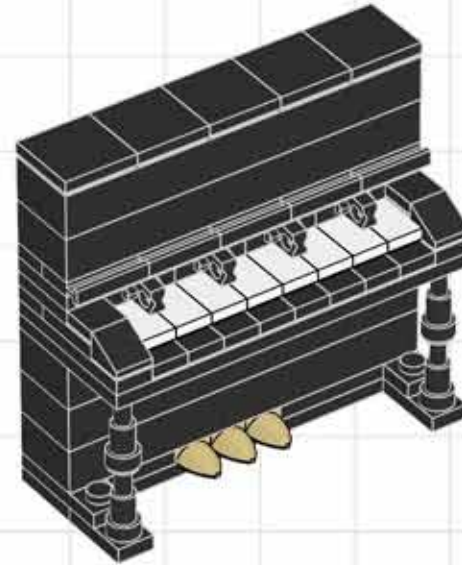


PIANO BUILDING STEPS!

19



20



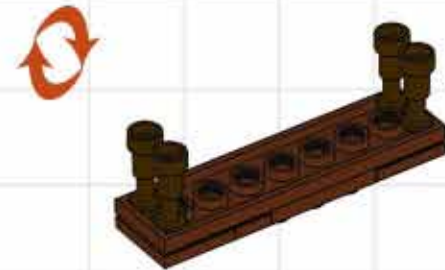
1



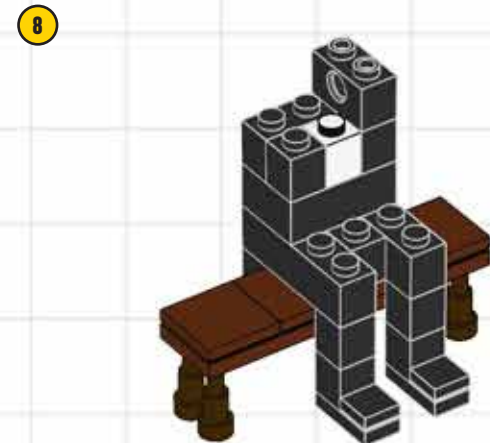
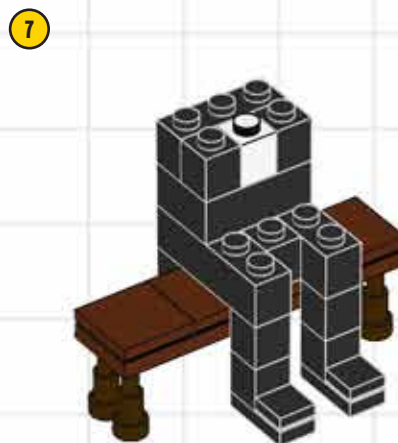
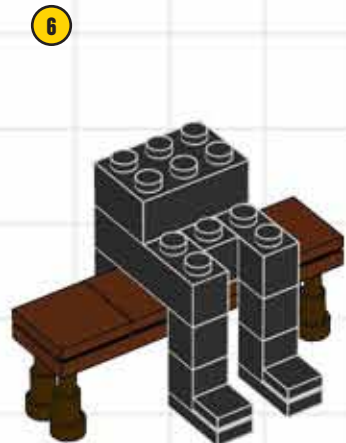
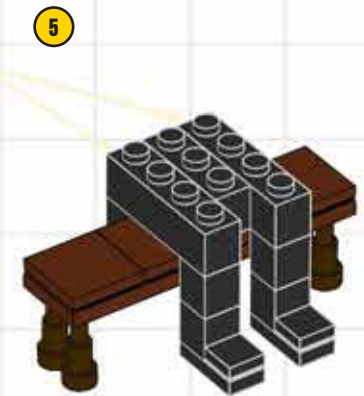
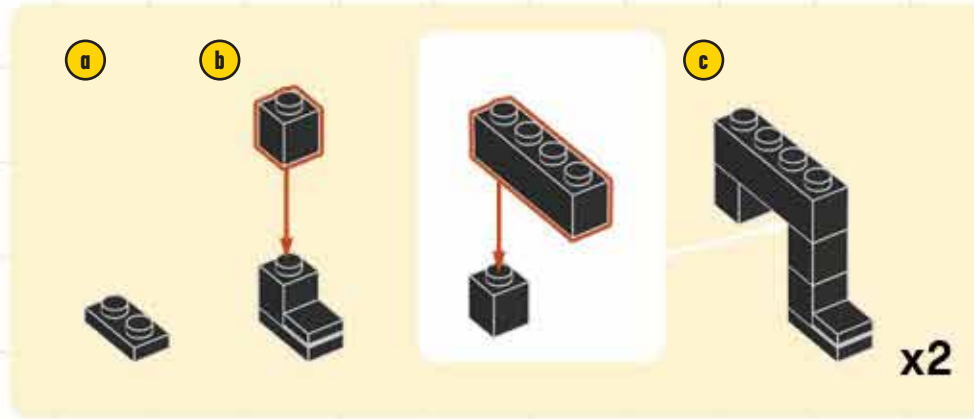
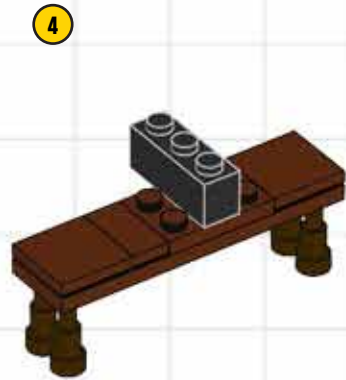
2



3

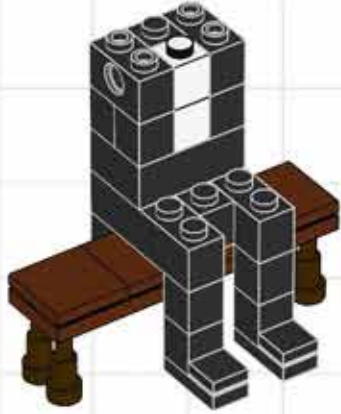


PIANO BUILDING STEPS!

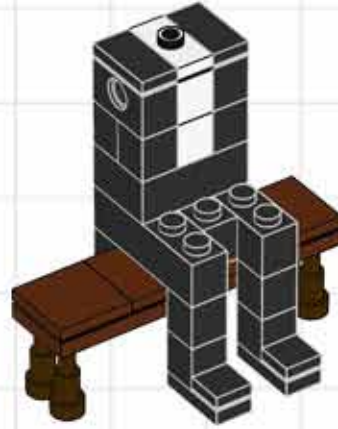


PIANO BUILDING STEPS!

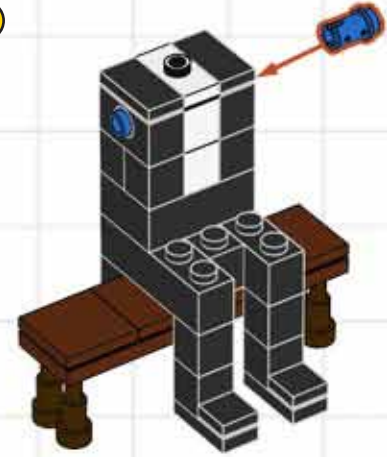
9



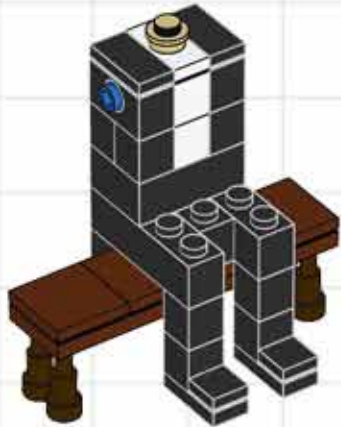
10



11



12



a



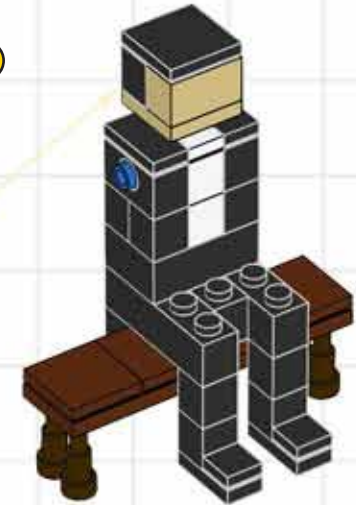
b



c

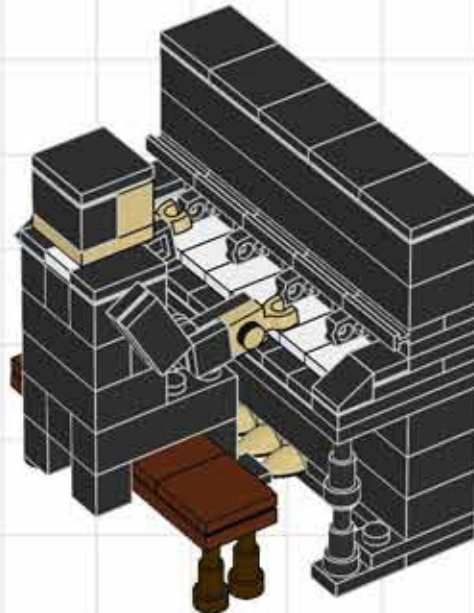
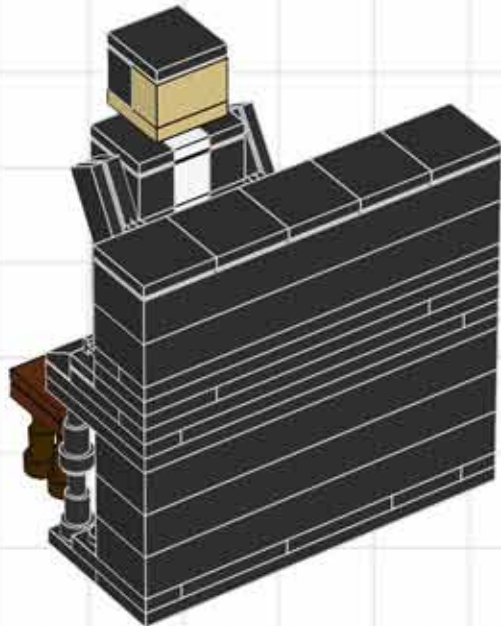
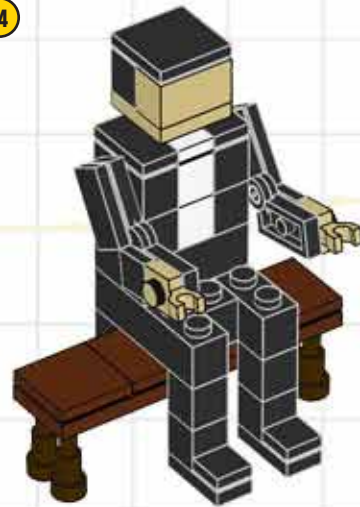
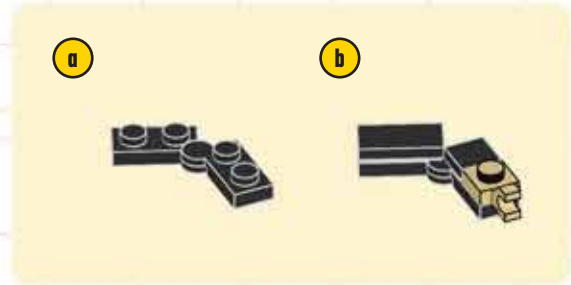
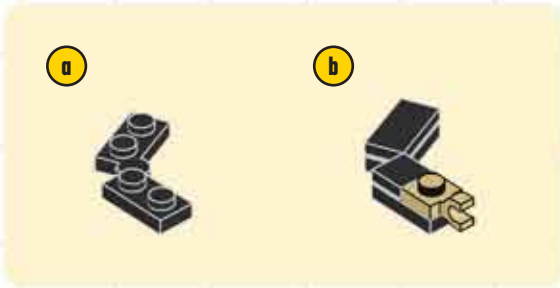


13

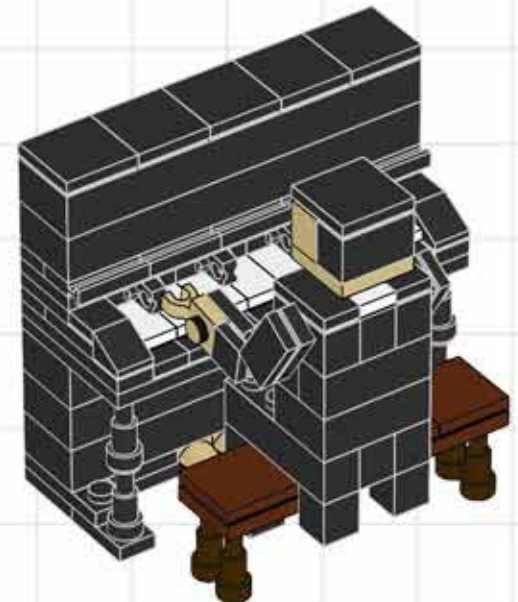


PIANO BUILDING STEPS!

14



FINAL



PIANO BUILDING STEPS!

-  x2 383226
-  x6 302326
-  x3 362326
-  x1 302126
-  x1 302226
-  x8 379426
-  x5 4617860
-  x3 4224793
-  x4 4538456
-  x2 371026
-  x1 303026
-  x2 4504382
-  x1 346026
-  x1 416226

-  x6 307026
-  x8 306901
-  x2 447726
-  x4 4185620
-  x2 242026
-  x1 366626
-  x5 4107761
-  x6 306826
-  x4 4538950
-  x1 4211211
-  x2 4271949
-  x1 4511151
-  x1 4211189
-  x9 300526

-  x2 301026
-  x2 362226
-  x2 300501
-  x1 300226
-  x2 370026
-  x1 379401
-  x4 306926
-  x1 4161734
-  x1 4114084
-  x1 4109995
-  x1 300426
-  x2 4143005
-  x2 4520947
-  x2 74011

